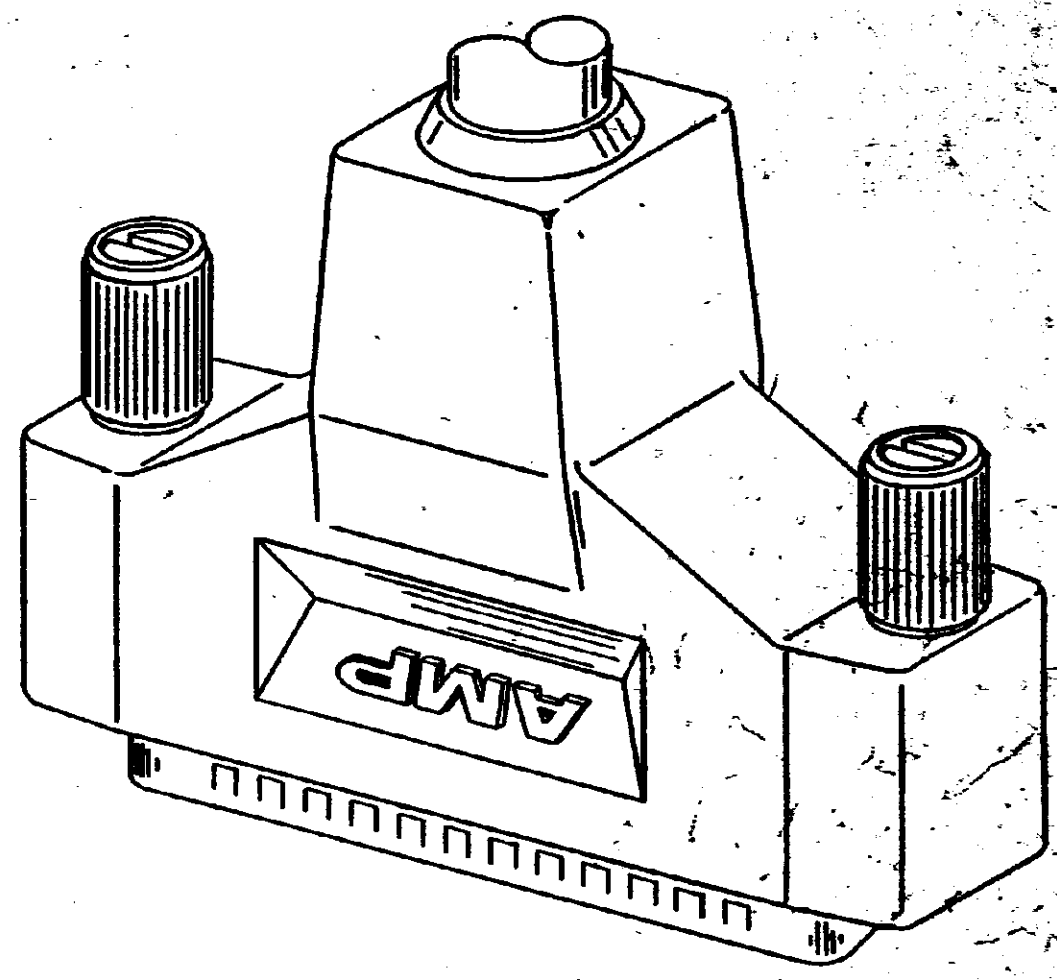
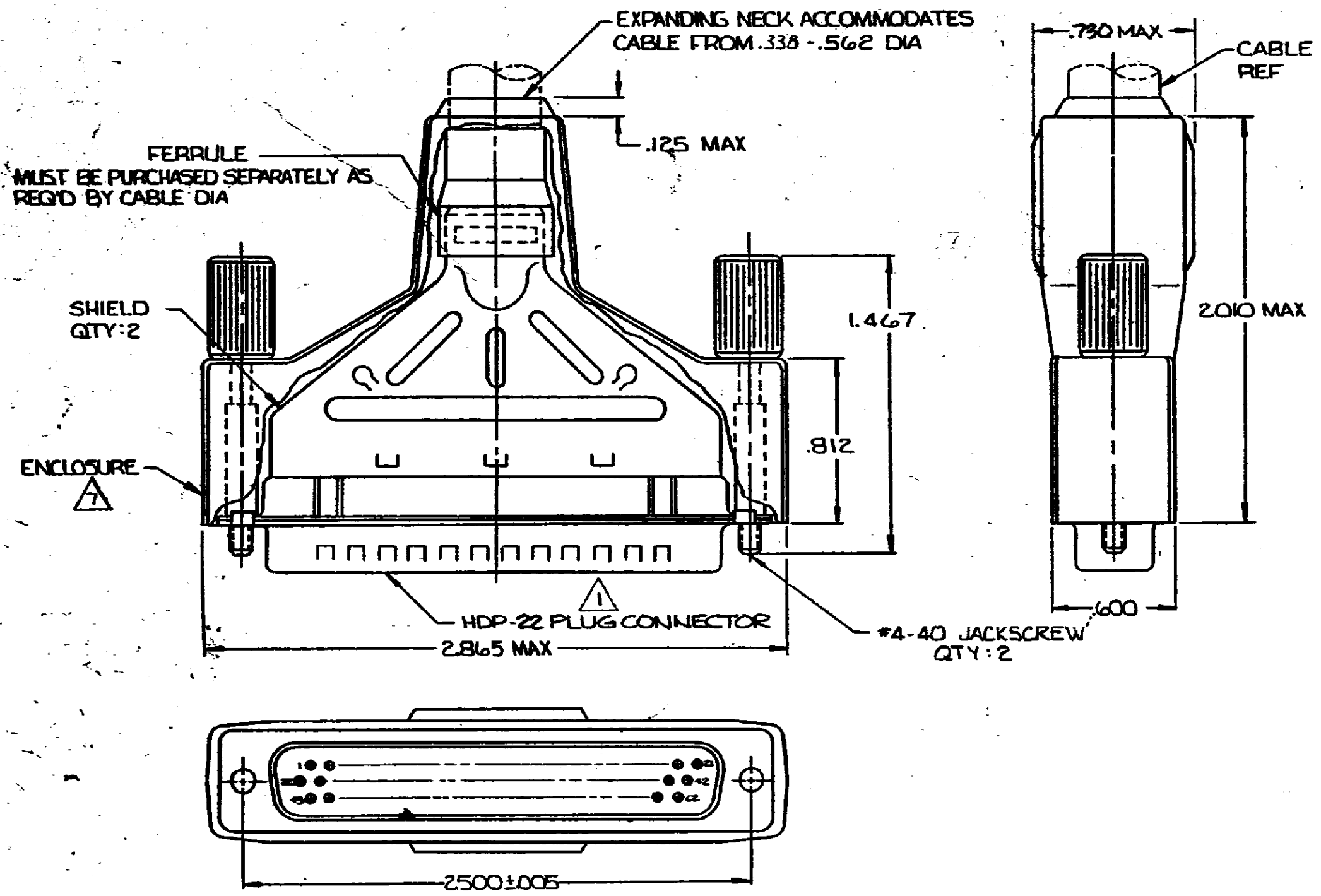


DRAWING MADE IN THIRD ANGLE PROJECTION

THIS DRAWING IS UNPUBLISHED. RELEASED FOR PUBLICATION. 19
 COPYRIGHT 19 BY AMP INCORPORATED, HARRISBURG, PA. ALL INTERNATIONAL RIGHTS RESERVED. AMP PRODUCTS MAY BE COVERED BY U.S. AND FOREIGN PATENTS AND/OR PATENTS PENDING.

REVISIONS				
P	F	ZONE	DESCRIPTION	DATE APPROVED
Q			RELEASED, WAS 86-5520-4	
A			REVISED - ECN BD2607	7-30-88 RW
B			REVISED - ECN BD 2645	7-30-88 RW
C			REV PER ECN BD2328	2-17-88 RW
D			REV PER ECN BD 4457	12-10-90 RW
E			REVISED PER ECN BD6133	4-6-92 TMS



- 1. PLUG ACCEPTS SIZE 22 DF PIN CONTACTS, CONTACTS MUST BE PURCHASED SEPARATELY.
- 2. ALL PARTS SHIPPED UNASSEMBLED, EACH PART INDIVIDUALLY BULK PACKED.
- 3. FLAME RETARDANT 94V-0 RATED, GLASS FILLED, NYLON OR POLYESTER, COLOR: BLACK.
- 4. STEEL PER ASTM A109.
- 5. TIN PLATING PER MIL-T-10727.
- 6. ZINC PLATING PER ASTM B633, TYPE II, CLASS SC1, BLACK CHROMATE.
- 7. FLAME RETARDANT 94 V-0 RATED, STYRENE POLYOLEFIN OR PVE, BLACK.

UNLESS OTHERWISE SPECIFIED DIMENSIONS ARE IN INCHES.		CONTRACT NO		748476-1	
TOLERANCES ON:		OR		AMP AMP INCORPORATED Harrisburg, Pa. 17105	
DECIMALS ± .020		3-10-87		NAME	
ANGLES ± .020		Webster 3/11/87		SHIELDING ENCLOSURE KIT, PLUG, SIZE 4, 62 POSN, AMPLIMITE® HDP-22	
MATERIAL		APPRO		SIZE	
INSERT: A		D. Neuling 3.16.87		FSCM NO	
SHELLS & SHIELDS: A		APPRO		DRAWING NO	
JACKSCREWS: ZINC ALLOY		Vikumar 3/18/87		C - 00779	
FINISH		OSGN APPD		SCALE	
SHELLS & SHIELDS: A		OTHER APPD		2:1	
JACKSCREWS: A				SHEET 1 OF 1	

AMP 1471-6 REV. 2-87

CUSTOMER DRAWING